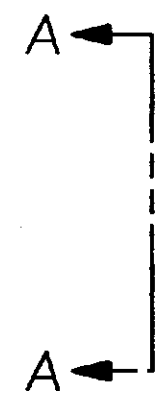
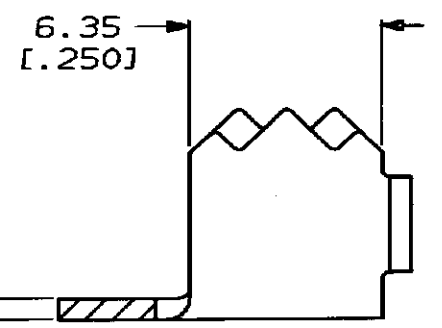
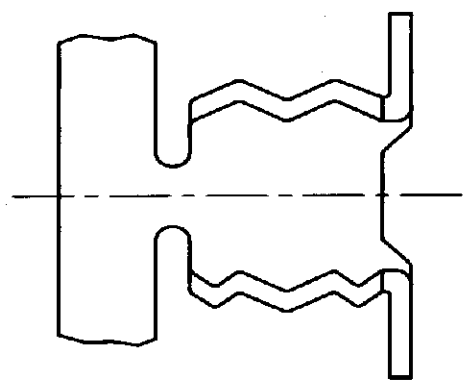


4
DRAWING MADE IN THIRD ANGLE PROJECTION
THIS DRAWING IS UNPUBLISHED. RELEASED FOR PUBLICATION .19
© COPYRIGHT 19 BY AMP INCORPORATED. ALL INTERNATIONAL RIGHTS RESERVED.

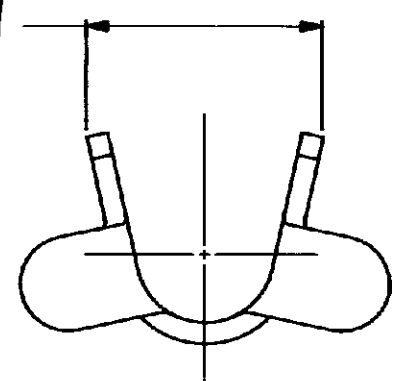
LOC	DIST	P	F	ZONE	LTR	DESCRIPTION	DATE	APPD
AF	50				G	REV & REDRAWN PER AF-6507	1/30/90	DKS

D
C
B
A



1 CONTINUOUS STRIP ON REELS

$\frac{7.87}{7.24}$ $\left[\begin{matrix} .310 \\ .285 \end{matrix} \right]$



VIEW A-A

METRIC

DO NOT SCALE PRINT. UNLESS SPECIFIED DIMENSIONS IN INCHES [INCHES]		DR 1/30/90 DK SCHUM	AMP INCORPORATED Harrisburg, Pa. 17105	
TOLERANCES ON: 2 PLC DEC ± - 3 PLC DEC ± 0.38(.015) ANGLES ± -		CHK 2/1/90 MS FEHER	NAME	
MATERIAL #3 HARD STEEL		APPD 2/2/90 D SCHMCK	STRAIN RELIEF WING TYPE	
FINISH 0.002032 [.000080] MIN TIN PL PER 112-16-3		APPD 2/2/90 TL SHUTTER	SIZE B	CAGE CODE 00779
WEIGHT -		PRODUCT SPEC -	SCALE 5:1	DRAWING NO 61831
		APPLICATION SPEC -	SHEET 1 OF 1	

61831-1
PART NO

CUSTOMER DRAWING